



Innovative Products for the Transportation Industry

# Safety ALERT

6/7/2007 – 8M000070 GM C4500/5500 4x2 Suspension

To: UltraRide® Suspension Dealers

## Summary of Service Issue

Recently a small number of field failures have been reported on **ambulances and buses** relative to the lateral control rod bracket of the GM C4500/5500 4x2 UltraRide® suspension, part number 8M000070. Specifically, the lateral control rod bracket out of the axle kit for the 13.5K GM C4500/5500 4x2 suspension, part number **8M000072**, has developed cracks in these reported failures. As a result, Link Manufacturing, Ltd has made a running change to this lateral control rod bracket. The axle kit part number for the GM C4500/5500 4x2 13.5K suspension is now 8M000092.

**This is a safety related concern and should be addressed with a high degree of urgency. If not corrected, this failure could result in a loss of vehicle control. All ambulance and bus applications must replace their lateral control rod bracket with the new bracket kit, part number 800M1041.**

Link® is asking that you immediately contact **ALL** customers who have purchased the 8M000070 UltraRide suspension with the 8M000072, 13.5K axle kit from you.

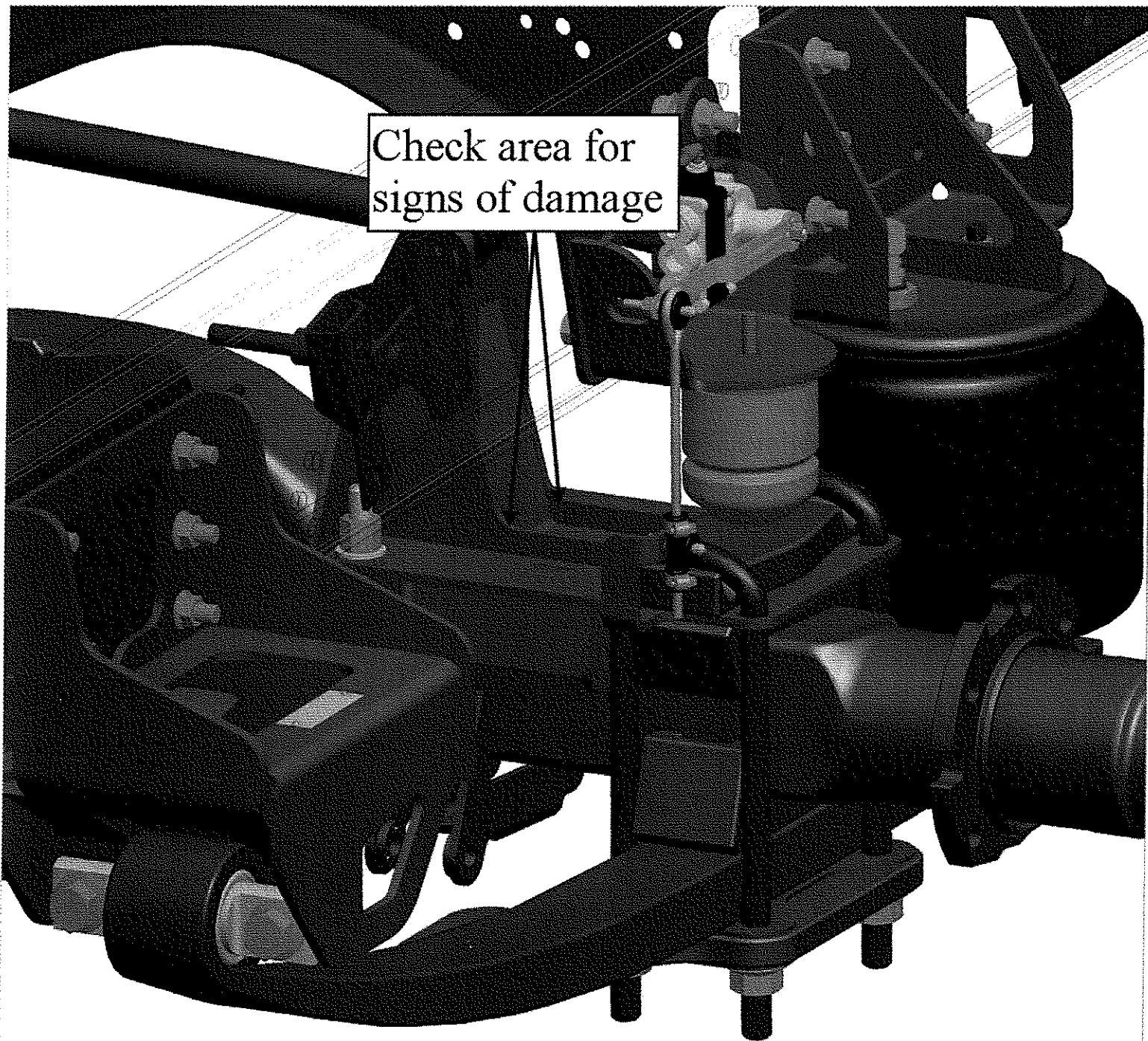
Here is the action plan that needs to be followed:

- 1) Identify and **notify all customers.**
- 2) Provide Link with a list of all customers, including VIN number and contact information.
- 3) **Perform an inspection** of the lateral control rod bracket. A picture showing where to inspect is attached.
- 4) **If cracks are found, remove the vehicle from service immediately!** Call Dan Dykstra or myself at **1-800-222-6283.**
- 5) **The lateral control rod bracket must be replaced on all ambulances and bus applications. Call us to order the new bracket kit, part number 800M1041. At that time, a labor allowance and labor rate will be discussed and approved by Link.**

Sincerely,

Benjamin Vande Griend  
Customer Service Supervisor  
Link Manufacturing, Ltd.

Check area for signs of damage



# UltraRide - 8M000072 AXLE KIT

## PARTS LIST

ITEM	PART NUMBER	DESCRIPTION	QTY
1	1470-0800	1/2 UNC HEX NUT (CR6)	1
2	1485-0800	1/4 LOCK WASHER	1
3	1488-0002	5/8 SAE HARDENED WASHER	1
4	1495-0020	U-BOLT-SQUARE, 5/8 UNF, 5.25 x 8.50	1
5	1500-0224	BALL PIVOT THREADED	1
6	1500-1225	BOX (14.00 X 11.00 X 9.50)	1
7	1506-0016	5/8 UNF HEX HIGH NUT	1
8	80001381	CHANNEL-MOUNT, AXLE	1
9	80001383	PLATE-MOUNT, AXLE	2
10	800M0122	BRACKET-MOUNT, LCR	1
11	800M0123	PLATE-MOUNT, AXLE	1

